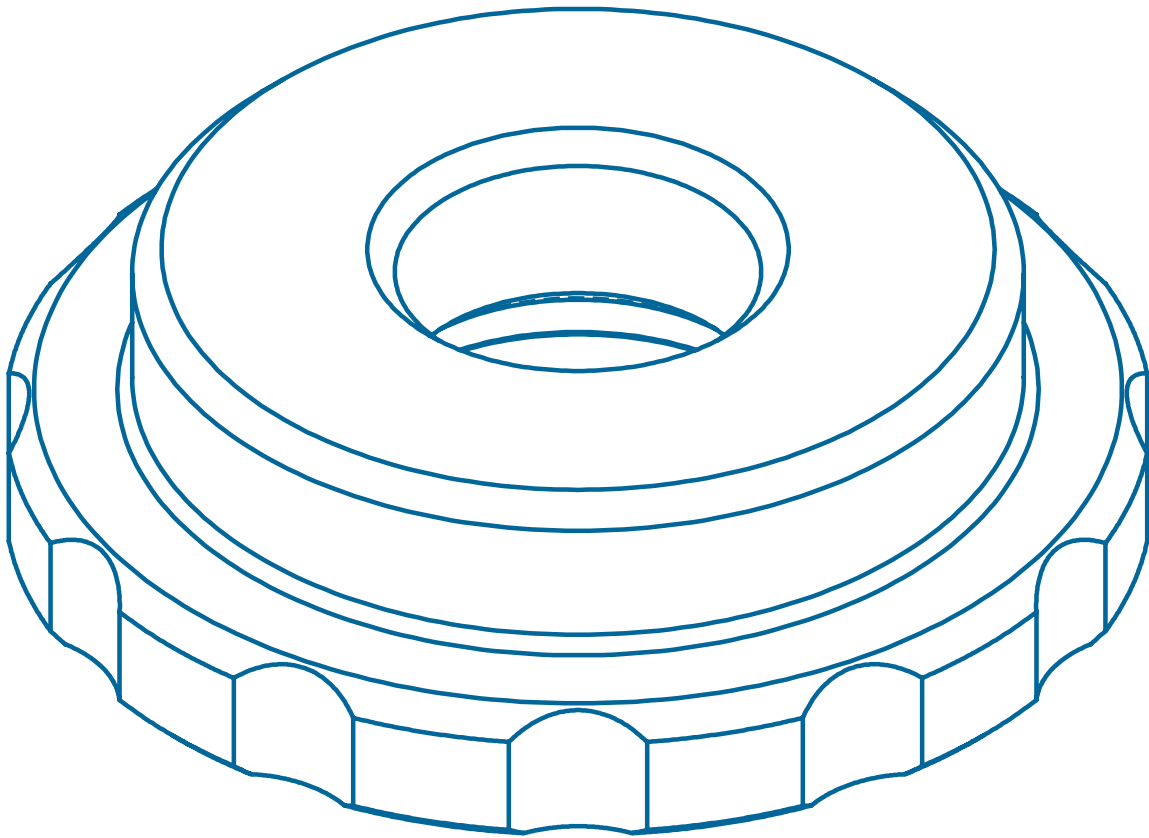


# Vacuum Cup Fittings

## Section 3





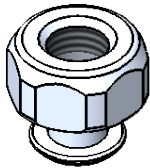
Ø 4-8 mm Cups



Ø 10-15 mm Cups



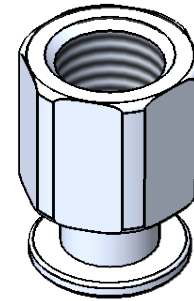
Ø 20-35 mm Cups



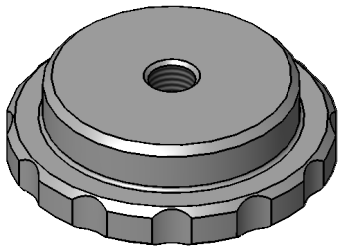
Ø 40 mm Cups



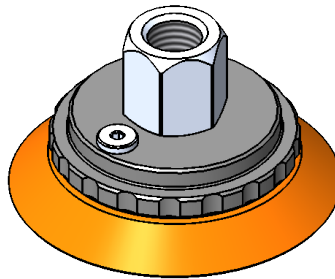
Ø 50 mm Cups



Ø 65 mm Cups



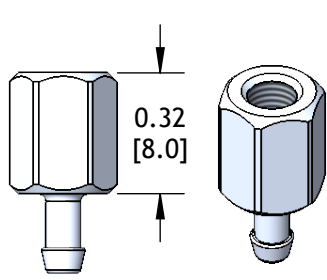
Ø 75 - 150 mm Cups



Accessories

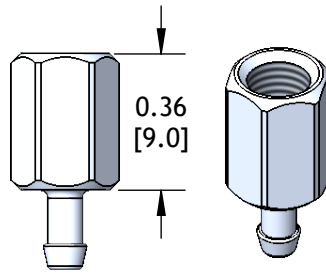
Ø 4-8 mm Cups	3
Ø 10-15 mm Cups	4
Ø 20-35 mm Cups	5
Ø 40 mm Cups	8
Ø 50 mm Cups	11
Ø 65 mm Cups	14
Ø 75-150 mm Cups	15
Fitting Accessories	15

### Ø 4-8 mm Cup Fittings - Standard



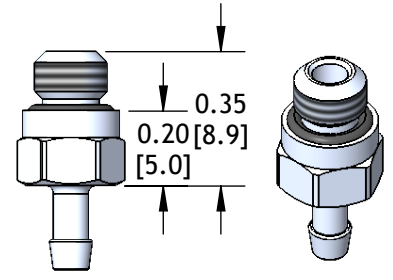
8-4F

Assembly Suffix:	-4F
Threads:	M4x0.7
Thread Depth: in [mm]	0.23 [5.8]
Weight: oz [g]	0.04 [1.1]
Thru Hole: in [mm]	0.05 [1.3]
Hex Size: in [mm]	0.25 [6.4]



8-5F

Assembly Suffix:	-5F
Threads:	M5x0.8
Thread Depth: in [mm]	0.25 [6.4]
Weight: oz [g]	0.04 [1.1]
Thru Hole: in [mm]	0.06 [1.5]
Hex Size: in [mm]	0.31 [8.0]

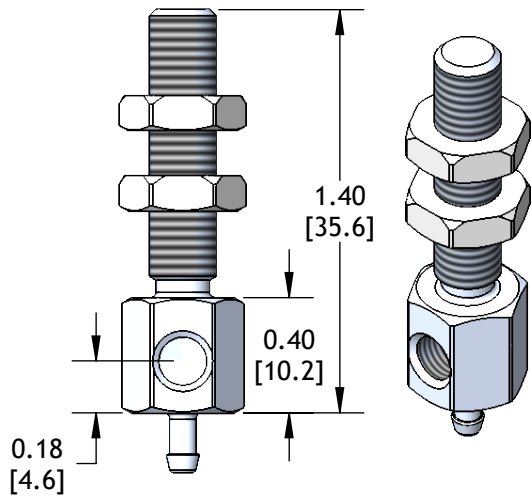


8-10M

Assembly Suffix:	-10M
Threads:	10-32 UNF (M5)
Weight: oz [g]	0.08 [2.3]
Thru Hole: in [mm]	0.06 [1.4]
Hex Size: in [mm]	0.25 [6.4]

### Ø 4-8 mm Cup Fittings - Side Vacuum Port w/ Male Post

JN-M6X1.0 (2) jam nuts included.

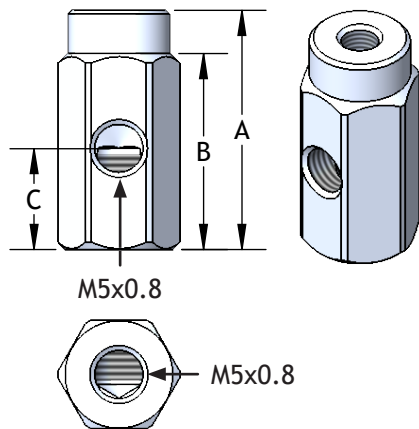


8-S5F-6M

Assembly Suffix:	-S5F-6M
Port Threads:	M5x0.8
Post Threads:	M6x1.0
Weight: oz [g]	0.22 [6.1]
Thru Hole: in [mm]	0.04 [1.0]
Hex Size: in [mm]	0.38 [9.5]

### Ø 4-8 mm Cup Fittings - Side Vacuum Port w/ Female Port

For use with 8-10M and 10-10M cup fittings



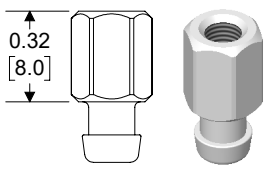
#### Technical Data

Fitting	Assembly Suffix	Weight oz [g]	Hex Size in [mm]
5F-S5F-5F	-S5F-5F	0.13 [3.7]	0.38 [9.5]
5F-S5F-6F	-S5F-8F	0.18 [5.0]	0.44 [11.1]

#### Dimensions

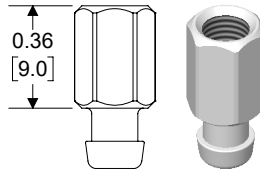
Fitting	A in [mm]	B in [mm]	C in [mm]	Thread	Thread Depth in [mm]
5F-S5F-5F	0.83 [21.0]	0.68 [17.3]	0.35 [8.9]	M5x0.8	0.22 [5.6]
5F-S5F-6F	0.86 [22.0]	0.63 [16.0]	0.33 [8.4]	M6x1.0	0.33 [8.4]

### Ø 10-15 mm Cup Fittings - Standard



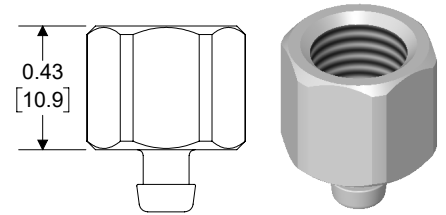
**10-4F**

Assembly Suffix:	-4F
Threads:	M4x0.7
Thread Depth: in [mm]	0.23 [5.8]
Weight: oz [g]	0.05 [1.4]
Thru Hole: in [mm]	0.10 [2.5]
Hex Size: in [mm]	0.25 [6.4]



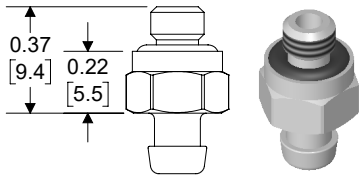
**10-5F**

Assembly Suffix:	-5F
Threads:	M5x0.8
Thread Depth: in [mm]	0.20 [5.1]
Weight: oz [g]	0.05 [1.4]
Thru Hole: in [mm]	0.10 [2.5]
Hex Size: in [mm]	0.25 [6.4]



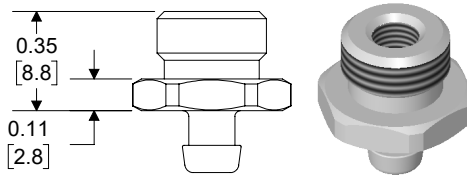
**10-18F**

Assembly Suffix:	-10M
Threads:	G 1/8 NPSF
Thread Depth: in [mm]	0.28 [7.1]
Weight: oz [g]	0.10 [2.8]
Thru Hole: in [mm]	0.10 [2.5]
Hex Size: in [mm]	0.5 [13.0]



**10-10M**

Assembly Suffix:	-10M
Threads:	10-32 UNF (M5)
Weight: oz [g]	0.10 [2.8]
Thru Hole: in [mm]	0.10 [2.5]
Hex Size: in [mm]	0.31 [8.0]

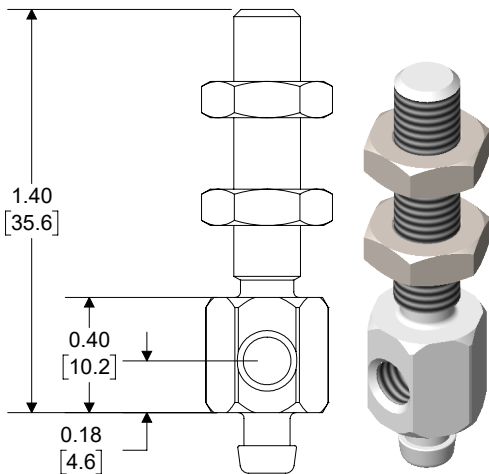


**10-18M**

Assembly Suffix:	-18M
Male Threads:	G 1/8
Female Threads:	M5x0.8
Thread Depth: in [mm]	0.21 [5.3]
Weight: oz [g]	0.08 [2.3]
Thru Hole: in [mm]	0.10 [2.5]
Hex Size: in [mm]	0.50 [13.0]

### Ø 10-15 mm Cup Fittings - Side Vacuum Port w/ Male Post

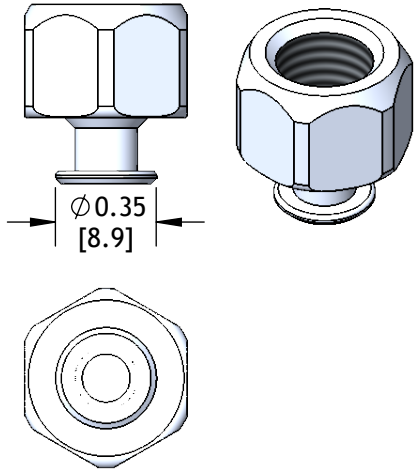
JN-M6X1.0 (2) jam nuts included.



**10-S5F-6M**

Assembly Suffix:	-S5F-6M
Port Threads:	M5x0.8
Post Threads:	M6x1.0
Weight: oz [g]	0.24 [6.8]
Thru Hole: in [mm]	0.10 [2.5]
Hex Size: in [mm]	0.38 [9.5]

## Ø 20-35 mm Cup Fittings - Female



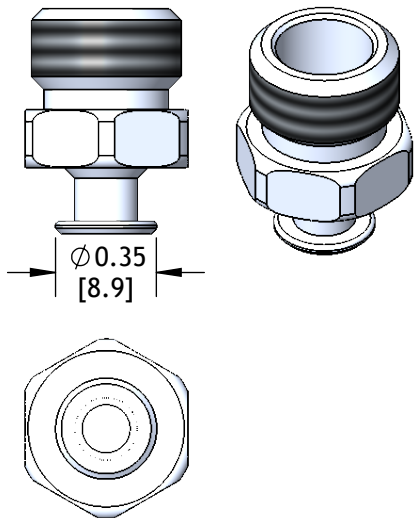
### Technical Data

Fitting	Assembly Suffix	Weight oz [g]
32-5F	-5F	0.09 [2.6]
32-6F	-6F	0.23 [6.5]
32-8F	-8F	0.20 [5.7]
32-18F	-18F	0.12 [3.4]
32-G14F	-G14F	0.26 [7.3]

### Dimensions

Fitting	Hex Height in [mm]	Hex Size in [mm]	Thru Hole in [mm]	Thread	Thread Depth in [mm]
32-5F	0.25 [6.4]	0.50 [12.7]	0.17 [4.2]	M5x0.8	0.20 [5.1]
32-6F	0.55 [14.0]	0.56 [14.5]	0.14 [3.6]	M6x1.0	0.25 [6.4]
32-8F	0.55 [14.0]	0.56 [14.5]	0.14 [3.6]	M8x1.25	0.32 [8.1]
32-18F	0.40 [10.0]	0.56 [14.5]	0.17 [4.2]	G 1/8 NPSF	0.25 [8.4]
32-G14F	0.65 [16.4]	0.69 [17.5]	0.17 [4.2]	G 1/4	0.45 [11.4]

## Ø 20-35 mm Cup Fittings - Male



### Technical Data

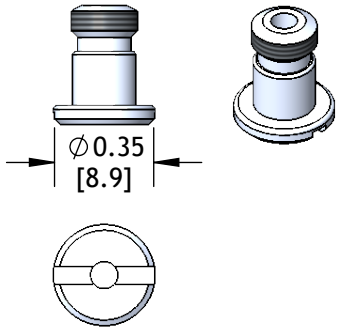
Fitting	Assembly Suffix	Weight oz [g]
32-5M	-5M	0.09 [2.6]
32-6M	-6M	0.11 [3.2]
32-8M	-8M	0.12 [3.4]
32-18M <sup>1</sup>	-18M	0.08 [2.3]
32-14M	-14M	0.18 [5.1]
32-G14M	-G14M	0.16 [4.5]
32-G38M	-G38M	0.34 [9.5]

### Dimensions

Fitting	Hex Height in [mm]	Hex Size in [mm]	Thru Hole in [mm]	Thread	Thread Length in [mm]
32-5M	0.20 [5.1]	0.50 [12.7]	0.08 [2.0]	M5x0.8	0.19 [4.8]
32-6M	0.20 [5.1]	0.56 [14.2]	0.10 [2.5]	M6x1.0	0.23 [5.9]
32-8M	0.20 [5.1]	0.56 [14.2]	0.14 [3.6]	M8x1.25	0.32 [8.1]
32-18M <sup>1</sup>	0.11 [2.8]	0.56 [14.2]	0.16 [4.1]	G 1/8 NPSF	0.24 [6.1]
32-14M	0.20 [5.1]	0.69 [17.5]	0.17 [4.2]	1/4 NPTF	0.35 [9.0]
32-G14M	0.20 [5.1]	0.69 [17.5]	0.17 [4.2]	G 1/4	0.35 [9.0]
32-G38M	0.25 [6.4]	0.88 [22.2]	0.17 [4.2]	G 3/8	0.26 [6.6]

<sup>1</sup>32-18M also has M5x0.8 Female threads 0.22 [5.7] deep.

### Ø 20-35 mm Cup Fittings - Male Stud



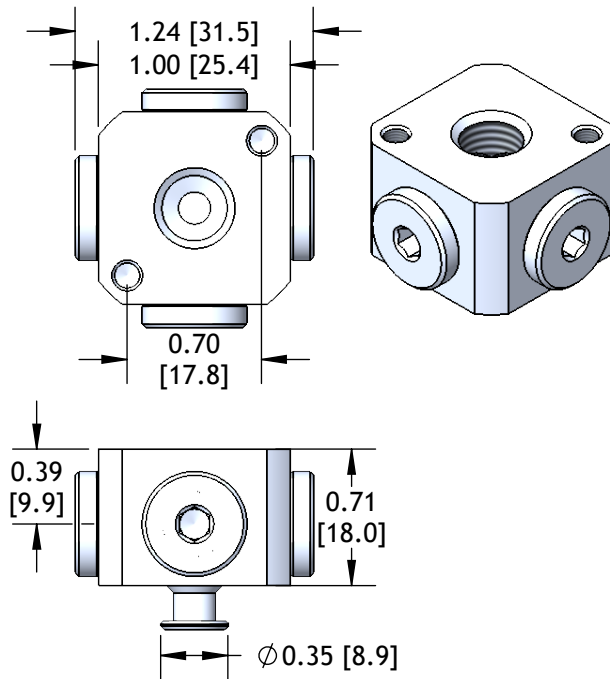
Technical Data

Fitting	Assembly Suffix	Weight oz [g]
32-6MS	-6MS	0.02 [0.7]
32-10MS	-10MS	0.02 [0.7]

Dimensions

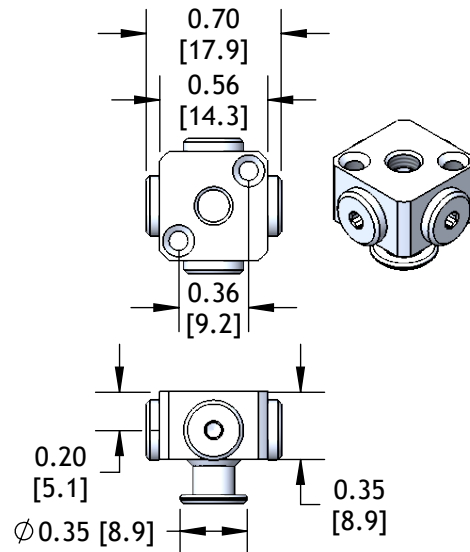
Fitting	Slot Width in [mm]	Thru Hole in [mm]	Thread	Thread Length in [mm]	Total Height in [mm]
32-6MS	0.06 [1.5]	0.09 [2.3]	M6x1.0	0.16 [4.1]	0.41 [10.4]
32-10MS	0.06 [1.5]	0.09 [2.3]	10-32 UNF (M5)	0.16 [4.1]	0.41 [10.4]

### Ø 20-35 mm Cup Fittings - Cross Fittings



32-5X18F

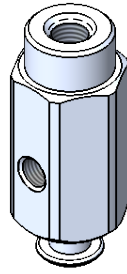
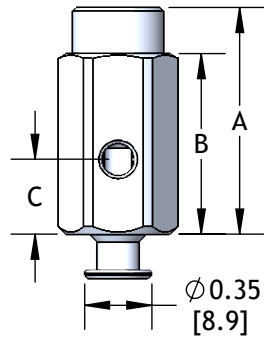
Assembly Suffix:	-5X18F
Threads:	G 1/8 NPSF (5)
Mount Threads:	M4x0.7 (2)
Weight: oz [g]	1.00 [28.3]
Thru Hole: in [mm]	0.17 [4.2]



32-5X5F

Assembly Suffix:	-5X5F
Threads:	M5x0.8 (5)
Mount Threads:	M3x0.5 (2)
Weight: oz [g]	0.18 [5.0]
Thru Hole: in [mm]	0.17 [4.2]

### Ø 20-35 mm Cup Fittings - M5 Female Side Vacuum Port w/ Female Mount



Technical Data

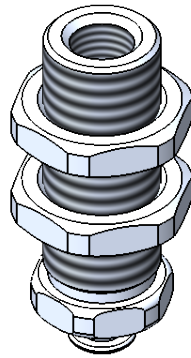
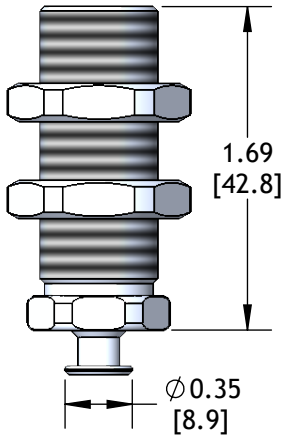
Fitting	Assembly Suffix	Weight oz [g]	Hex Size in [mm]
32-S5F-5F	-S5F-5F	0.34 [9.6]	0.56 [14.3]
32-S5F-6F	-S5F-6F	0.43 [12.8]	0.56 [14.3]
32-S5F-8F	-S5F-8F	0.41 [11.0]	0.56 [14.3]

Dimensions

Fitting	A in [mm]	B in [mm]	C in [mm]	Mount Thread	Thread Depth in [mm]
32-S5F-5F	0.89 [22.1]	0.69 [17.5]	0.35 [8.9]	M5x0.8	0.30 [7.6]
32-S5F-6F	1.18 [30.0]	0.94 [23.9]	0.39 [9.9]	M6x1.0	0.25 [6.3]
32-S5F-8F	1.18 [30.0]	0.87 [22.0]	0.39 [9.9]	M8x1.25	0.32 [8.1]

### Ø 20-35 mm Cup Fittings - Tool Mount

JN-M16X1 (2) jam nuts included.

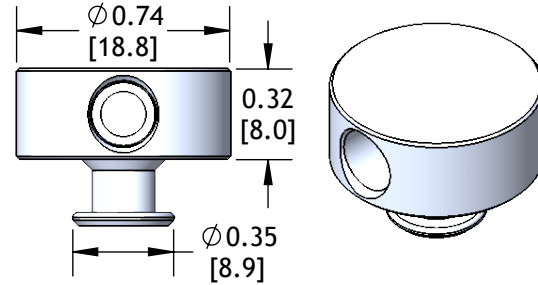


32-18FX40

Assembly Suffix:	-18FX40
Female Threads:	G 1/8 NPSF
Thread Depth: in [mm]	0.38 [9.7]
Post Threads:	M16x1.0
Hex Size: in [mm]	0.69 [17.5]
Hex Height: in [mm]	0.18 [4.6]
Weight: oz [g]	0.78 [22.1]
Thru Hole: in [mm]	0.16 [4.1]

### Ø 20-35 mm Cup Fittings - Die Cutting

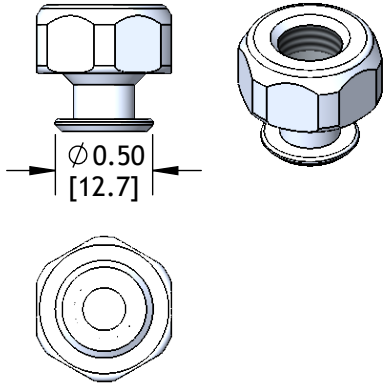
Contains push-in bore (2) for Ø 6 mm tubing.



32-DC75X31

Assembly Suffix:	-DC75X31
Weight: oz [g]	0.18 [5.2]
Thru Hole: in [mm]	0.16 [4.1]

## Ø 40 mm Cup Fittings - Female



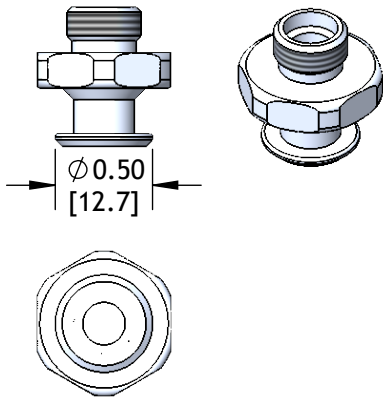
### Technical Data

Fitting	Assembly Suffix	Weight oz [g]
40-6F	-6F	0.38 [10.8]
40-8F	-8F	0.34 [9.6]
40-18F	-18F	0.20 [5.7]
40-38F	-38F	0.46 [13.2]
40-G14F	-G14F	0.26 [7.3]

### Dimensions

Fitting	Hex Height in [mm]	Hex Size in [mm]	Thru Hole in [mm]	Thread	Thread Depth in [mm]
40-6F	0.55 [14.0]	0.69 [17.5]	0.14 [3.6]	M6x1.0	0.25 [6.4]
40-8F	0.55 [14.0]	0.69 [17.5]	0.14 [3.6]	M8x1.25	0.32 [8.1]
40-18F	0.35 [8.8]	0.69 [17.5]	0.22 [5.6]	G 1/8 NPSF	0.25 [6.4]
40-38F	0.70 [17.8]	0.88 [22.2]	0.22 [5.6]	3/8 NPTF	0.55 [14.0]
40-G14F	0.63 [15.9]	0.75 [19.0]	0.22 [5.6]	G 1/4	0.45 [11.4]

## Ø 40 mm Cup Fittings - Male



### Technical Data

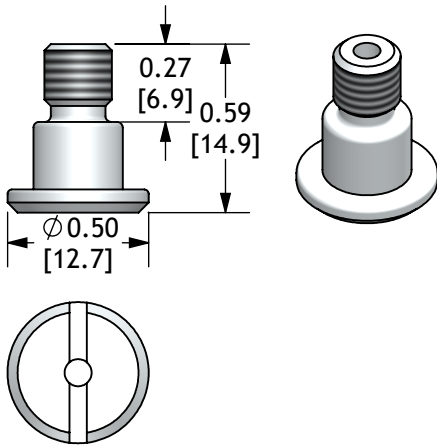
Fitting	Assembly Suffix	Weight oz [g]
40-6M	-6M	0.38 [10.8]
40-8M	-8M	0.19 [5.4]
40-18M	-18M	0.16 [4.5]
40-14M	-14M	0.19 [5.4]
40-38M	-38M	0.27 [7.7]
40-G14M	-G14M	0.21 [5.9]
40-G38M	-G38M	0.27 [7.7]

### Dimensions

Fitting	Hex Height in [mm]	Hex Size in [mm]	Thru Hole in [mm]	Thread	Thread Length in [mm]
40-6M	0.20 [5.1]	0.69 [17.5]	0.14 [3.6]	M6x1.0	0.32 [8.1]
40-8M	0.20 [5.1]	0.69 [17.5]	0.14 [3.6]	M8x1.25	0.32 [8.1]
40-18M	0.19 [4.9]	0.69 [17.5]	0.22 [5.6]	G 1/8 NPSF	0.23 [5.9]
40-14M	0.20 [5.1]	0.69 [17.5]	0.22 [5.6]	1/4 NPT	0.36 [9.0]
40-38M	0.20 [5.1]	0.75 [19.0]	0.22 [5.6]	3/8 NPT	0.36 [9.0]
40-G14M	0.20 [5.1]	0.69 [17.5]	0.22 [5.6]	G 1/4	0.36 [9.0]
40-G38M	0.20 [5.1]	0.75 [19.0]	0.22 [5.6]	G 3/8	0.36 [9.0]



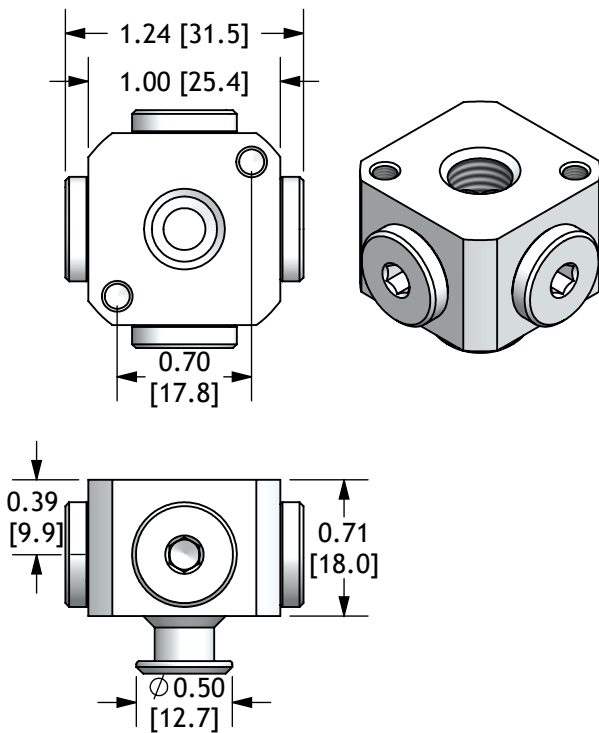
### Ø 40 mm Cup Fittings - Male Stud



**40-6MS**

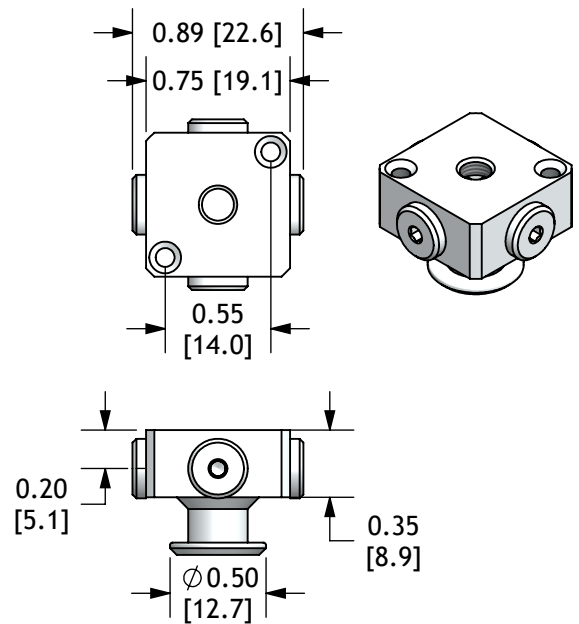
Assembly Suffix:	-6MS
Thread:	M6x1.0
Weight: oz [g]	0.07 [1.9]
Thru Hole: in [mm]	0.09 [2.4]

### Ø 40 mm Cup Fittings - Cross Fittings



**40-5X18F**

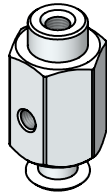
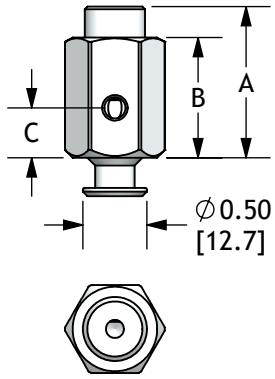
Assembly Suffix:	-5X18F
Threads:	G 1/8 NPSF (5)
Mount Threads:	M4x0.7 (2)
Weight: oz [g]	1.00 [28.3]
Thru Hole: in [mm]	0.22 [5.6]



**40-5X5F**

Assembly Suffix:	-5X5F
Threads:	M5x0.8 (5)
Mount Threads:	M3x0.5 (2)
Weight: oz [g]	0.32 [9.0]
Thru Hole: in [mm]	0.16 [4.1]

### Ø 40 mm Cup Fittings - M5 Female Side Vacuum Port w/ Female Mount



#### Technical Data

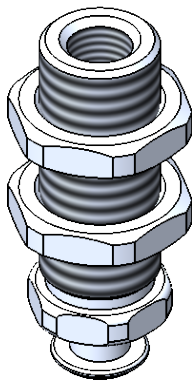
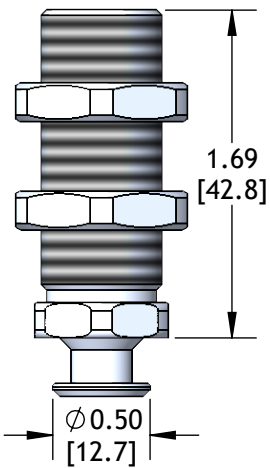
Fitting	Assembly Suffix	Weight oz [g]	Hex Size in [mm]
40-S5F-6F	-S5F-6F	0.69 [19.6]	0.69 [17.5]
40-S5F-8F	-S5F-8F	0.63 [17.9]	0.69 [17.5]

#### Dimensions

Fitting	A in [mm]	B in [mm]	C in [mm]	Mount Thread	Thread Depth in [mm]
40-S5F-6F	1.18 [30.0]	0.94 [23.9]	0.39 [9.9]	M6x1.0	0.25 [6.3]
40-S5F-8F	1.18 [30.0]	0.87 [22.0]	0.39 [9.9]	M8x1.25	0.32 [8.1]

### Ø 40 mm Cup Fittings - Tool Mount

JN-M16X1 (2) jam nuts included.

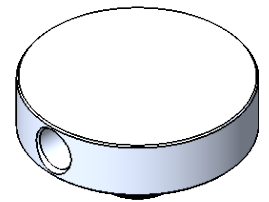
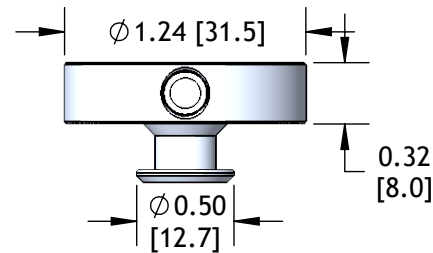


#### 40-18FX40

Assembly Suffix:	-18FX40
Female Threads:	G 1/8 NPSF
Thread Depth: in [mm]	0.38 [9.7]
Post Threads:	M16x1.0
Hex Size: in [mm]	0.69 [17.5]
Hex Height: in [mm]	0.18 [4.6]
Weight: oz [g]	0.80 [22.7]
Thru Hole: in [mm]	0.22 [5.5]

### Ø 40 mm Cup Fittings - Die Cutting

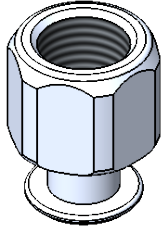
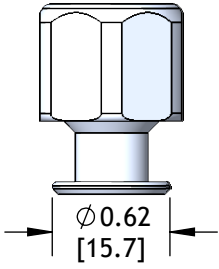
Contains push-in bore (2) for Ø 6 mm tubing.



#### 40-DC125X31

Assembly Suffix:	-DC125X31
Weight: oz [g]	0.58 [16.3]
Thru Hole: in [mm]	0.16 [4.0]

## Ø 50 mm Cup Fittings - Female



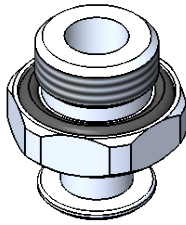
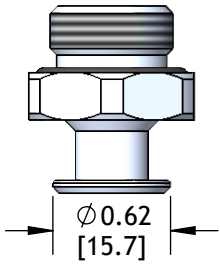
### Technical Data

Fitting	Assembly Suffix	Weight oz [g]
50-6F	-6F	0.42 [11.9]
50-8F	-8F	0.38 [10.8]
50-18F	-18F	0.23 [6.5]
50-14F	-14F	0.36 [10.2]
50-38F	-38F	0.51 [14.5]
50-G14F	-G14F	0.37 [10.5]

### Dimensions

Fitting	Hex Height in [mm]	Hex Size in [mm]	Thru Hole in [mm]	Thread	Thread Depth in [mm]
50-6F	0.55 [14.0]	0.69 [17.5]	0.14 [3.6]	M6x1.0	0.25 [6.4]
50-8F	0.55 [14.0]	0.69 [17.5]	0.14 [3.6]	M8x1.25	0.32 [8.1]
50-18F	0.35 [8.8]	0.69 [17.5]	0.22 [5.6]	G 1/8 NPSF	0.25 [6.4]
50-14F	0.62 [15.6]	0.75 [19.0]	0.22 [5.6]	1/4 NPTF	0.40 [10.0]
50-38F	0.70 [17.8]	0.88 [22.2]	0.22 [5.6]	3/8 NPSF	0.45 [11.4]
50-G14F	0.63 [15.9]	0.75 [19.0]	0.22 [5.6]	G 1/4	0.45 [11.4]

## Ø 50 mm Cup Fittings - Male



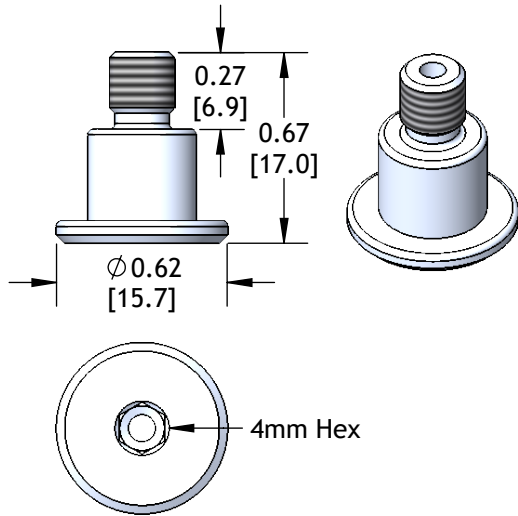
### Technical Data

Fitting	Assembly Suffix	Weight oz [g]
50-6M	-6M	0.23 [6.5]
50-8M	-8M	0.23 [6.5]
50-18M	-18M	0.20 [5.7]
50-14M	-14M	0.23 [6.5]
50-38M	-38M	0.31 [8.8]
50-G14M	-G14M	0.25 [7.1]
50-G38M	-G38M	0.31 [8.8]
50-N18M	-N18M	0.20 [5.7]

### Dimensions

Fitting	Hex Height in [mm]	Hex Size in [mm]	Thru Hole in [mm]	Thread	Thread Length in [mm]
50-6M	0.20 [5.1]	0.69 [17.5]	0.14 [3.6]	M6x1.0	0.32 [8.1]
50-8M	0.20 [5.1]	0.69 [17.5]	0.14 [3.6]	M8x1.25	0.32 [8.1]
50-18M	0.20 [5.1]	0.69 [17.5]	0.22 [5.6]	G 1/8 NPSF	0.23 [5.9]
50-14M	0.20 [5.1]	0.69 [17.5]	0.22 [5.6]	1/4 NPT	0.35 [9.0]
50-38M	0.20 [5.1]	0.75 [19.0]	0.22 [5.6]	3/8 NPSF	0.35 [9.0]
50-G14M	0.20 [5.1]	0.69 [17.5]	0.22 [5.6]	G 1/4	0.35 [9.0]
50-G38M	0.20 [5.1]	0.75 [19.0]	0.22 [5.6]	G 3/8	0.35 [9.0]
50-N18M	0.20 [5.1]	0.69 [17.5]	0.22 [5.6]	1/8 NPT	0.39 [9.9]

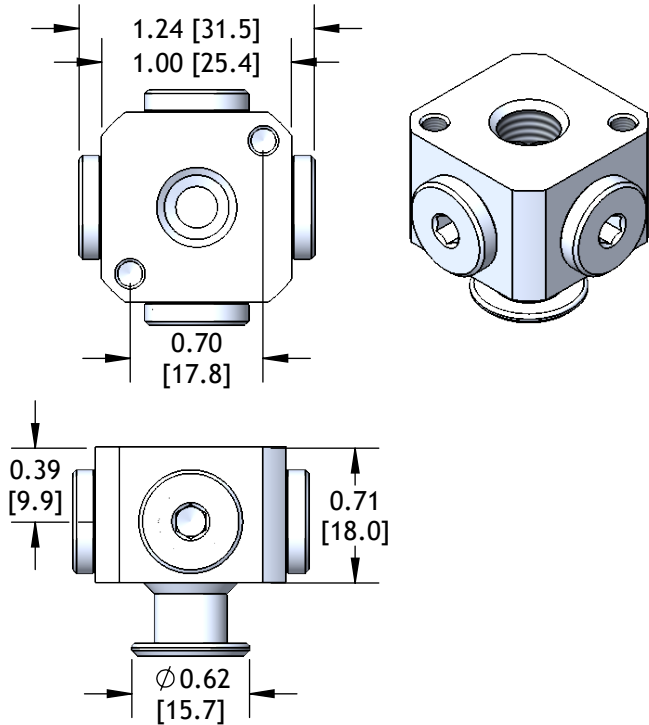
### Ø 50 mm Cup Fittings - Male Stud



50-6MS

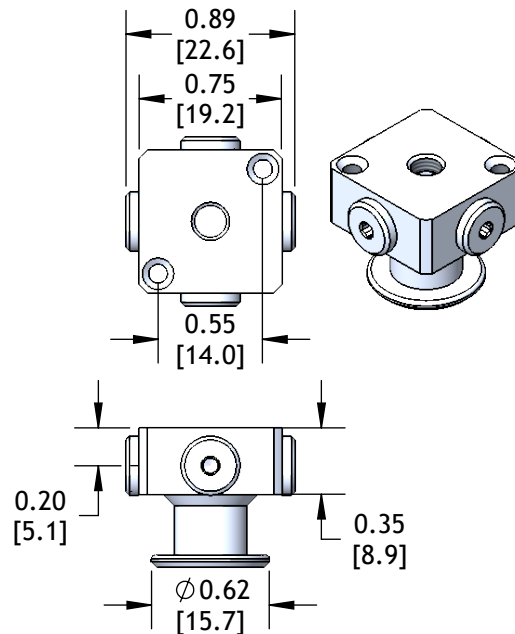
Assembly Suffix:	-6MS
Thread:	M6x1.0
Weight: oz [g]	0.12 [3.4]
Thru Hole: in [mm]	0.02 [2.5]

### Ø 50 mm Cup Fittings - Cross Fittings



50-5X18F

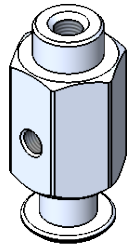
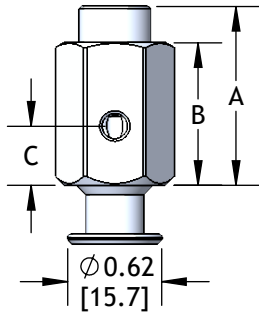
Assembly Suffix:	-5X18F
Threads:	G 1/8 NPSF (5)
Mount Threads:	M4x0.7 (2)
Weight: oz [g]	1.00 [29.7]
Thru Hole: in [mm]	0.22 [5.6]



50-5X5F

Assembly Suffix:	-5X5F
Threads:	M5x0.8 (5)
Mount Threads:	M3x0.5 (2)
Weight: oz [g]	0.36 [10.1]
Thru Hole: in [mm]	0.16 [4.1]

## Ø 50 mm Cup Fittings - M5 Female Side Vacuum w/ Female Port



### Technical Data

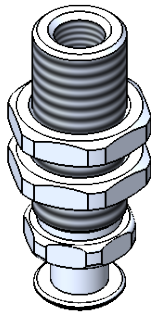
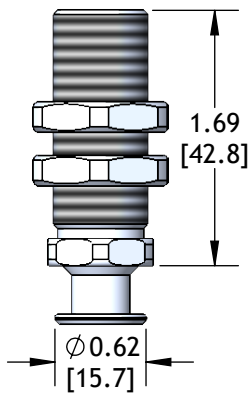
Fitting	Assembly Suffix	Weight oz [g]	Hex Size in [mm]
50-S5F-6F	-S5F-6F	0.74 [21.0]	0.69 [17.5]
50-S5F-8F	-S5F-8F	0.68 [19.3]	0.69 [17.5]

### Dimensions

Fitting	A in [mm]	B in [mm]	C in [mm]	Mount Thread	Thread Depth in [mm]
50-S5F-6F	1.18 [30.0]	0.94 [23.9]	0.39 [9.9]	M6x1.0	0.25 [6.3]
50-S5F-8F	1.18 [30.0]	0.87 [22.0]	0.39 [9.9]	M8x1.25	0.32 [8.1]

## Ø 50 mm Cup Fittings - Tool Mount

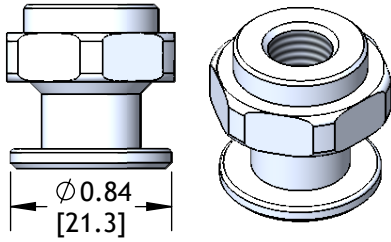
JN-M16X1 (2) jam nuts included.



### 50-18FX40

Assembly Suffix:	-18FX40
Female Threads:	G 1/8 NPSF
Thread Depth: in [mm]	0.38 [9.7]
Post Threads:	M16x1.0
Hex Size: in [mm]	0.69 [17.5]
Hex Height: in [mm]	0.18 [4.6]
Weight: oz [g]	0.83 [23.5]
Thru Hole: in [mm]	0.21 [5.3]

### Ø 65 mm Cup Fittings - Female



#### Technical Data

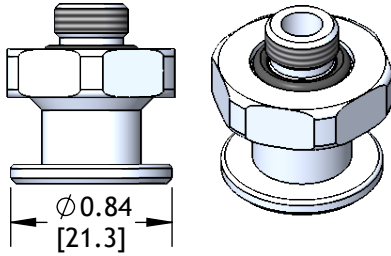
Fitting	Assembly Suffix	Weight oz [g]
65-18F	-18F	0.43 [12.2]
65-38F	-38F	0.66 [18.6]
65-G14F	-G14F	0.45 [12.7]

#### Dimensions

Fitting	Hex Height in [mm]	Offset Height in [mm]	Thru Hole in [mm]	Thread	Thread Depth in [mm]
65-18F	0.25 [6.4]	0.15 [3.8]	0.34 [8.6]	G 1/8 NPSF	0.38 [7.1]
65-38F	0.82 [20.8]	N/A	0.34 [8.6]	3/8 NPSF	0.55 [14.0]
65-G14F	0.25 [6.4]	0.34 [8.5]	0.34 [8.6]	G 1/4	0.45 [11.4]

Hex Size = 0.88 [22.4] for all 65 mm Cup Fittings

### Ø 65 mm Cup Fittings - Male



#### Technical Data

Fitting	Assembly Suffix	Weight oz [g]
65-18M	-18M	0.43 [12.3]
65-14M	-14M	0.45 [12.7]
65-38M	-38M	0.45 [12.7]
65-G14M	-G14M	0.45 [12.7]
65-G38M	-G38M	0.45 [12.7]

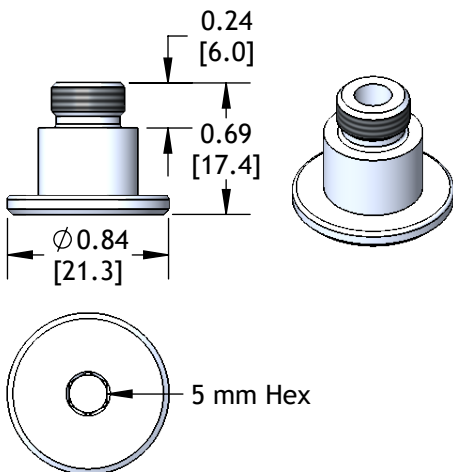
#### Dimensions

Fitting	Hex Height in [mm]	Thru Hole in [mm]	Thread	Thread Length in [mm]
65-18M	0.25 [6.4]	0.22 [5.6]	G 1/8 NPSF	0.24 [6.1]
65-14M	0.29 [7.4]	0.28 [7.1]	1/4 NPT	0.27 [6.9]
65-38M	0.25 [6.4]	0.34 [8.6]	3/8 NPSF	0.35 [8.9]
65-G14M	0.29 [7.4]	0.28 [7.1]	G 1/4	0.27 [6.9]
65-G38M	0.25 [6.4]	0.34 [8.6]	G 3/8	0.35 [8.9]

65-38M and 65-G38M also have G 1/8 NPSF Female Threads

Hex Size = 0.88 [22.4] on all 65 mm Cup Fittings

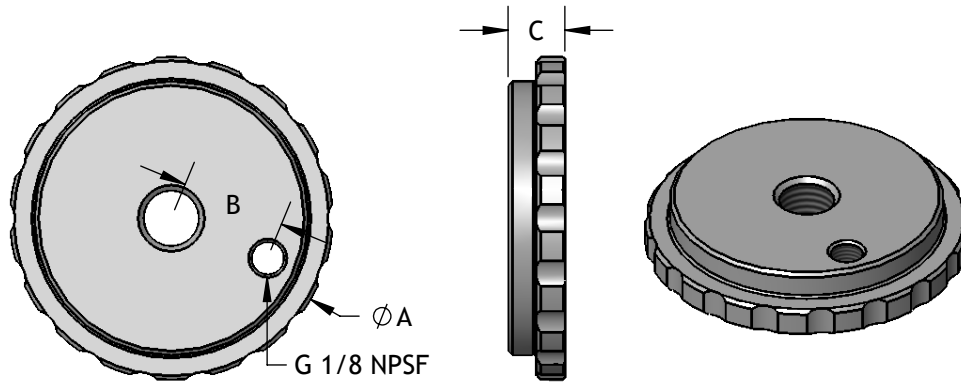
### Ø 65 mm Cup Fittings - Male Stud



#### 65-18MS

Assembly Suffix:	-18MS
Thread:	G 1/8 NPT
Weight: oz [g]	0.21 [5.9]
Thru Hole: in [mm]	0.20 [5.0]

## Ø 75-150 mm Cup Fittings



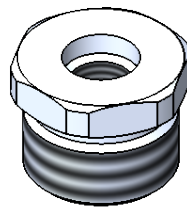
Fitting	Assembly Suffix	Weight oz [g]	A in [mm]	B in [mm]	C in [mm]	Thread
75-18F	-18F	2.80 [79.4]	2.36 [60.0]	N/A	0.68 [17.3]	G 1/8 NPSF
75-14F	-14F	2.70 [76.5]	2.36 [60.0]	N/A	0.68 [17.3]	1/4 NPSF
75-G14F	-G14F	2.70 [76.5]	2.36 [60.0]	N/A	0.68 [17.3]	G 1/4
75-38F	-38F	2.70 [76.5]	2.36 [60.0]	N/A	0.68 [17.3]	3/8 NPSF
75-G38F	-G38F	2.70 [76.5]	2.36 [60.0]	N/A	0.68 [17.3]	G 3/8
75-12F	-12F	2.60 [73.7]	2.36 [60.0]	N/A	0.68 [17.3]	G 1/2 NPSF
110-38F	-38F	5.10 [145.0]	3.35 [85.1]	1.10 [27.9]	0.59 [15.0]	3/8 NPSF
110-12F	-12F	5.10 [145.0]	3.35 [85.1]	1.10 [27.9]	0.59 [15.0]	G 1/2 NPSF
150-38F	-38F	8.50 [241.0]	4.72 [120.0]	1.38 [25.0]	0.56 [14.2]	3/8 NPSF
150-12F	-12F	8.50 [241.0]	4.72 [120.0]	1.38 [25.0]	0.56 [14.2]	G 1/2 NPSF

All 75 - 150 fittings include M4X10-965A Stainless Steel Screws and SS Filter Screen.  
 Sizes 110 and 150 fittings also include an FS21 Filter Screen and P18 Plug for Auxiliary Port.

## Metric Bushings

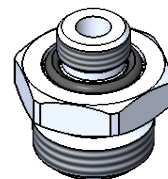
For use with 75-12F, 110-12F, and 150-12F fittings.

Bushing	Female Thread	Weight oz [g]
G12M-M8X1.25F	M8x1.25	0.49 [13.8]
G12M-M10X1.25F	M10x1.25	0.45 [12.7]
G12M-M10X1.5F	M10x1.5	0.45 [12.7]
G12M-M12X1.75F	M12x1.75	0.40 [11.3]
G12M-M16X1.5F	M16x1.5	0.24 [6.8]



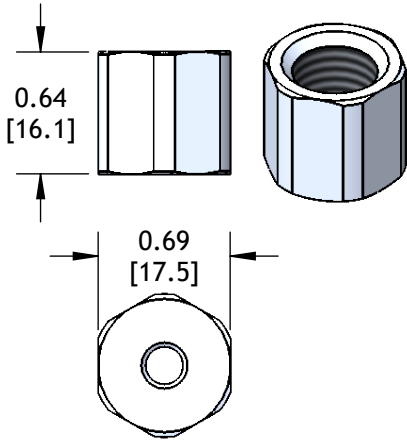
## Cup Fitting Adapters

Adapter	Thread 1	Thread 2	Weight oz [g]
38MX18M	G 3/8 NPT	G 1/8 NPT	0.26 [7.3]
38MX38M	G 3/8 NPT	G 3/8 NPT	0.31 [8.9]
38MX12M	G 3/8 NPT	G 1/2 NPT	0.59 [16.8]
12MX12M	G 1/2 NPT	G 1/2 NPT	0.77 [21.7]



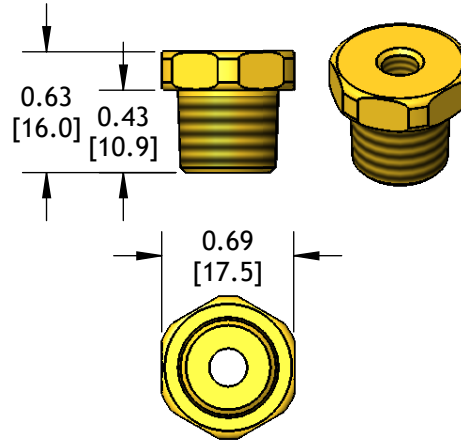
## Male Stud Adapters

For use with 32-6MS, 40-6MS, and 50-6MS fittings.



**6F-G14F**

Thread 1:	G 1/4
Thread 2:	M6x1.0
Weight: oz [g]	0.28 [7.9]

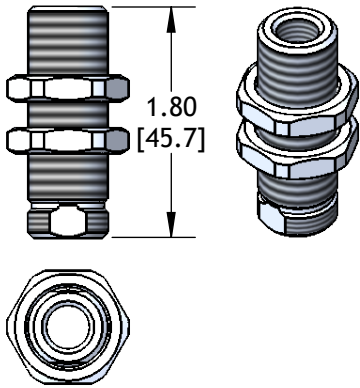


**6F-14M**

Thread 1:	1/4 NPTF
Thread 2:	M6x1.0
Weight: oz [g]	0.68 [19.3]

## Tool Mount Adapters

For use with -18M fittings. JN-M16X1 (2) jam nuts included.

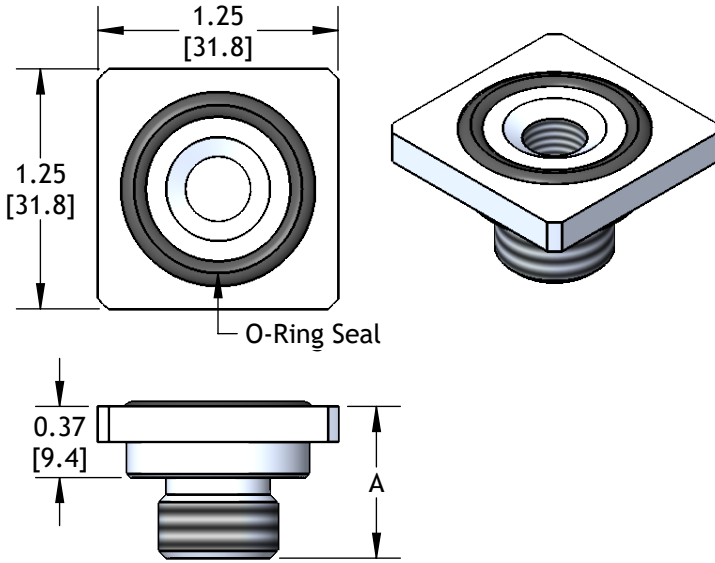


**18F-16X40**

Port Threads:	G 1/8 NPSF
Post Threads:	M16x1.0
Weight: oz [g]	1.10 [31.2]



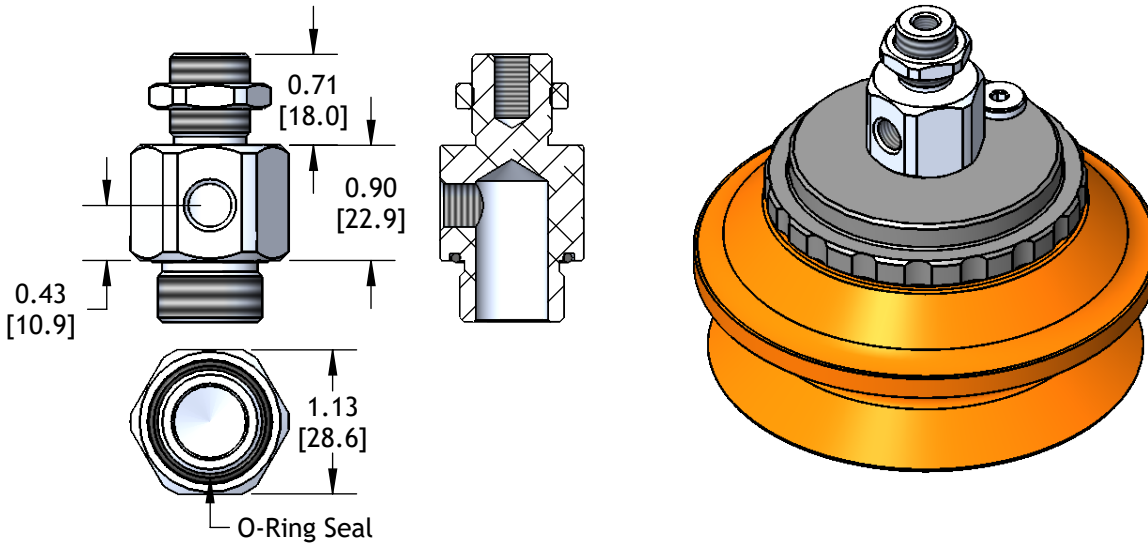
### T-Slot Adapters



Adapter	A in [mm]	Thread	Weight oz [g]
TSA-18M	0.61 [15.5]	G 1/8 NPS	0.75 [21.3]
TSA-38M	0.79 [20.0]	3/8 NPSF	0.68 [19.3]
TSA-12M	0.79 [20.0]	G 1/2 NPS	0.59 [16.7]

### Side Vacuum Port Adapter

For use with 75-12F, 110-12F, and 150-12F fittings. JN-M16X1 (I) jam nut included.



#### 12M-S18F-16M

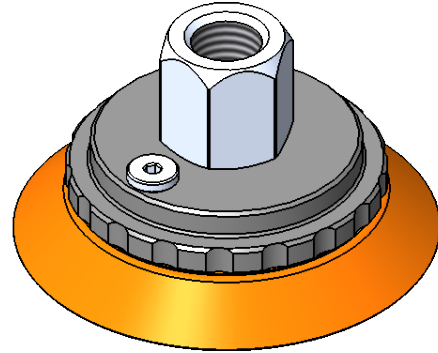
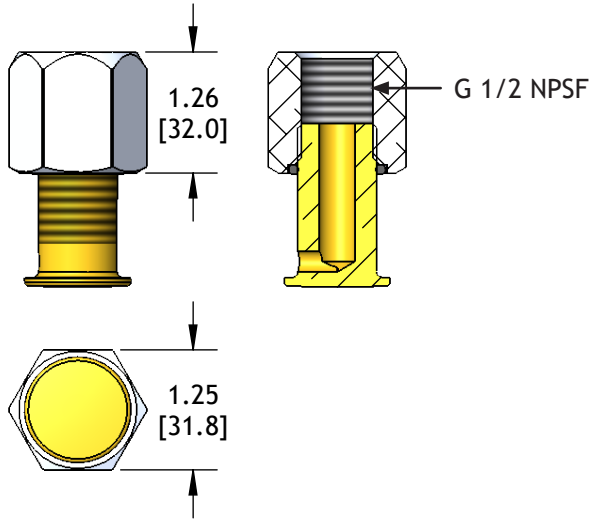
Port Threads:	G 1/8 NPSF
Post Threads:	M16x1.0
Female Post Threads:	M8x1.25
Connection Threads:	G 1/2 NPSF
Weight: oz [g]	1.80 [50.8]

## SS12: Sheet Separator

Used to warp the edges of sheet goods to promote separation from the next sheet in a stack. As vacuum is applied to the vacuum cup, the cup pulls the sheet against a crowned brass center post and warps it slightly to produce a small air passage under the sheet edge which facilitates sheet separation. One separator per corner is recommended. Depending on the size and thickness of sheet material, more units may be required. The degree of the warp can be adjusted by changing the projection distance of the center post from the cup cleats or the amount of vacuum applied to the vacuum cup. A 150 mm size cup produces a very large force and should only be used with thicker materials to prevent marking the product.

Sheet Separators can be ordered on their own to add to your cup by using the SS-12 part number. To order a sheet separator with a cup already attached, use the chart below. Sheet Separators are compatible with XP-F110 and XP-F150 cups using 12F fittings.

Cup Size & Style		Cup Material	
XP-	F110	N	-12F-SS
F110	Flat Cup, 110 mm	N	Nitrile
F150	Flat Cup, 150 mm	S	Silicone
		V	Viton



## Cup Fitting Adapters

38MX12M



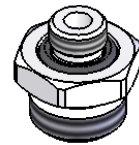
Weight: 0.03 lbs [15.4 g]

38MX38M



Weight: 0.02 lbs [9.1 g]

38MX18M



Weight: 0.02 lbs [7.7 g]